

ELK-0675 6V, 7.5 Ah

FEATURES

- Valve regulated, non-spillable construction
- UL recognized component
- Two year over-the-counter warranty

APPLICATIONS

- Back-up battery for security alarm systems, fire alarm systems and access control systems
- Emergency lights
- Lighted exit signs
- Uninterruptible power supplies
- Other general purpose use

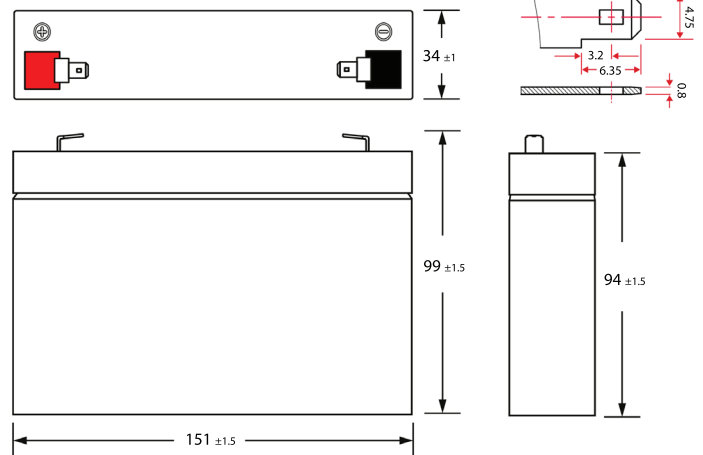


SPECIFICATIONS

Nominal Voltage	6 Volts
Rated Capacity	7.5 Ah (20 hour rate)
Nominal Capacity (77°F, 25°C)	
20 hour rate (0.375A)	7.5 Ah
10 hour rate (0.70A)	7.0 Ah
5 hour rate (1.29A)	6.45 Ah
1 hour rate (4.33A)	4.33 Ah
Effect of Temperature on Capacity (20 hour rate)	Note: Prolonged exposure to extreme temperatures can have long term effects on battery performance
104°F (40°C)	102%
77°F (25°C)	100%
32°F (0°C)	85%
5°F (-15°C)	65%
Charge Constant Voltage Cycle	7.0V - 7.5V at 77°F (25°C) Initial Charging Current 2.1A Max
Standby	6.8V - 6.9V at 77°F (25°C)
Weight (Approximate)	2.42 lbs (1.1 kg)
Terminals	F1 Faston Tab (.187")

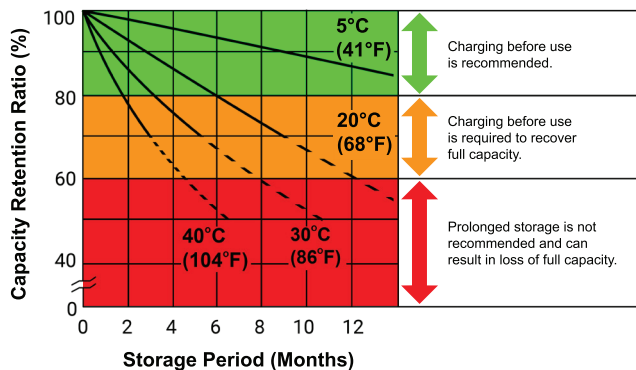
DIMENSIONS

Units = mm



Length	5.94" (151 mm)	Case Height	3.70" (94 mm)
Width	1.34" (34 mm)	Total Height	3.9" (99 mm)

CAPACITY RETENTION CHARACTERISTICS



DISCHARGE CHARACTERISTICS (68°F, 20°C)

